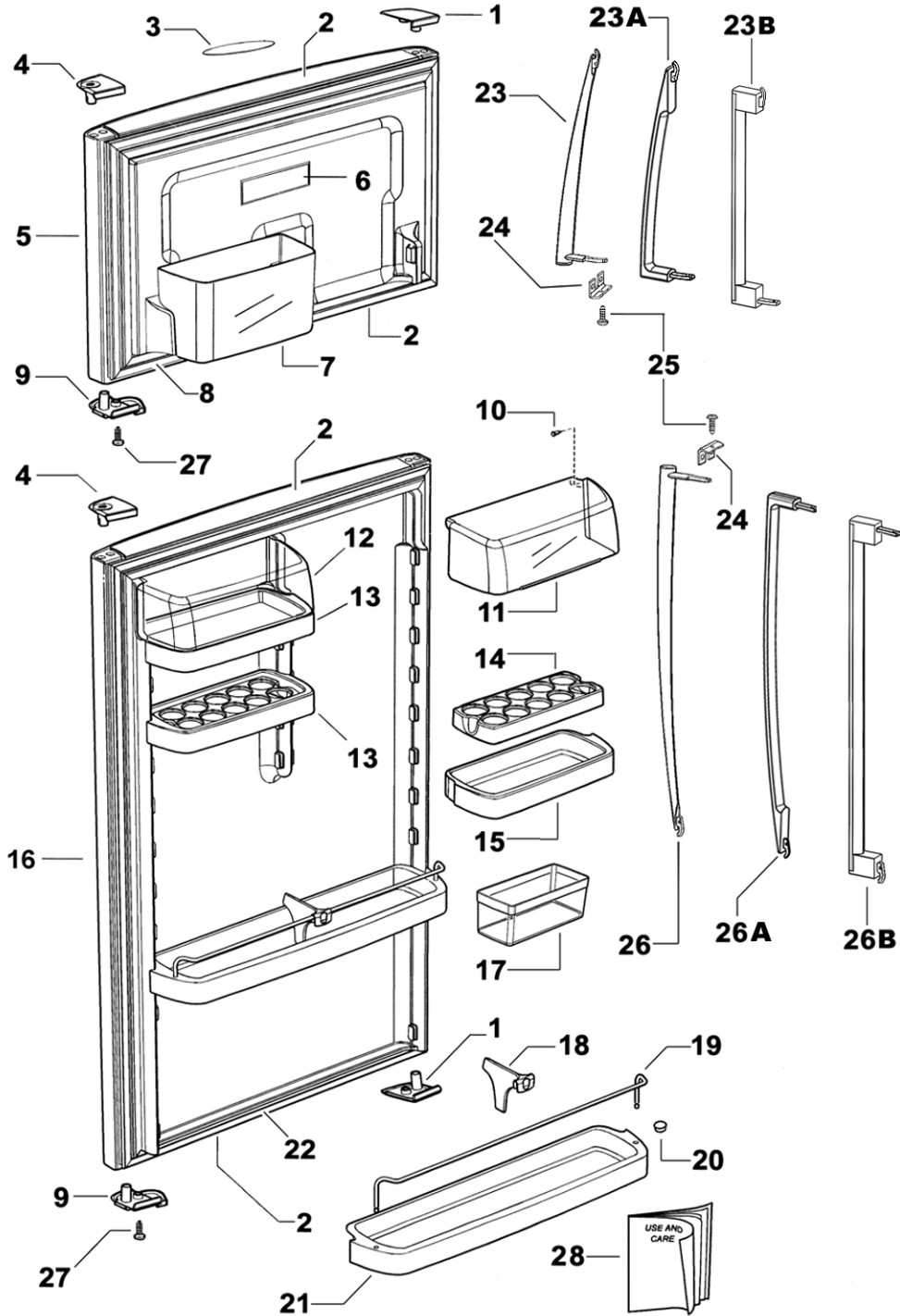


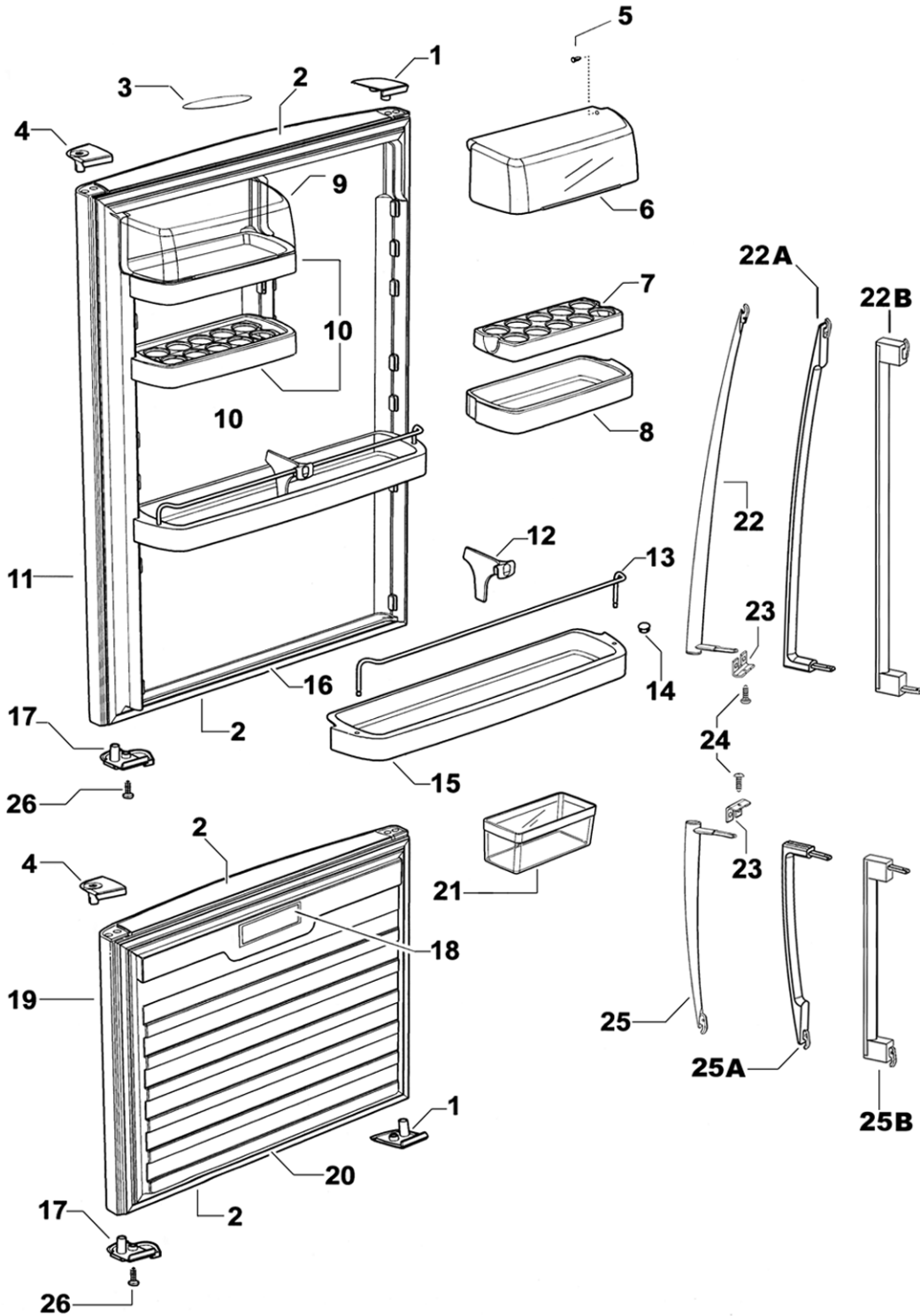
# DOORS - TOP FREEZER MODEL WITH METAL HANDLE *ELEGANCE, INOX & IRIDIUM*



**NOTE:**

FOR A COMPREHENSIVE DOOR ASSEMBLY SELECTION CHART FOR ALL CURRENT PRODUCTION MODELS - REFER DOOR MANUAL Pt No. 517780

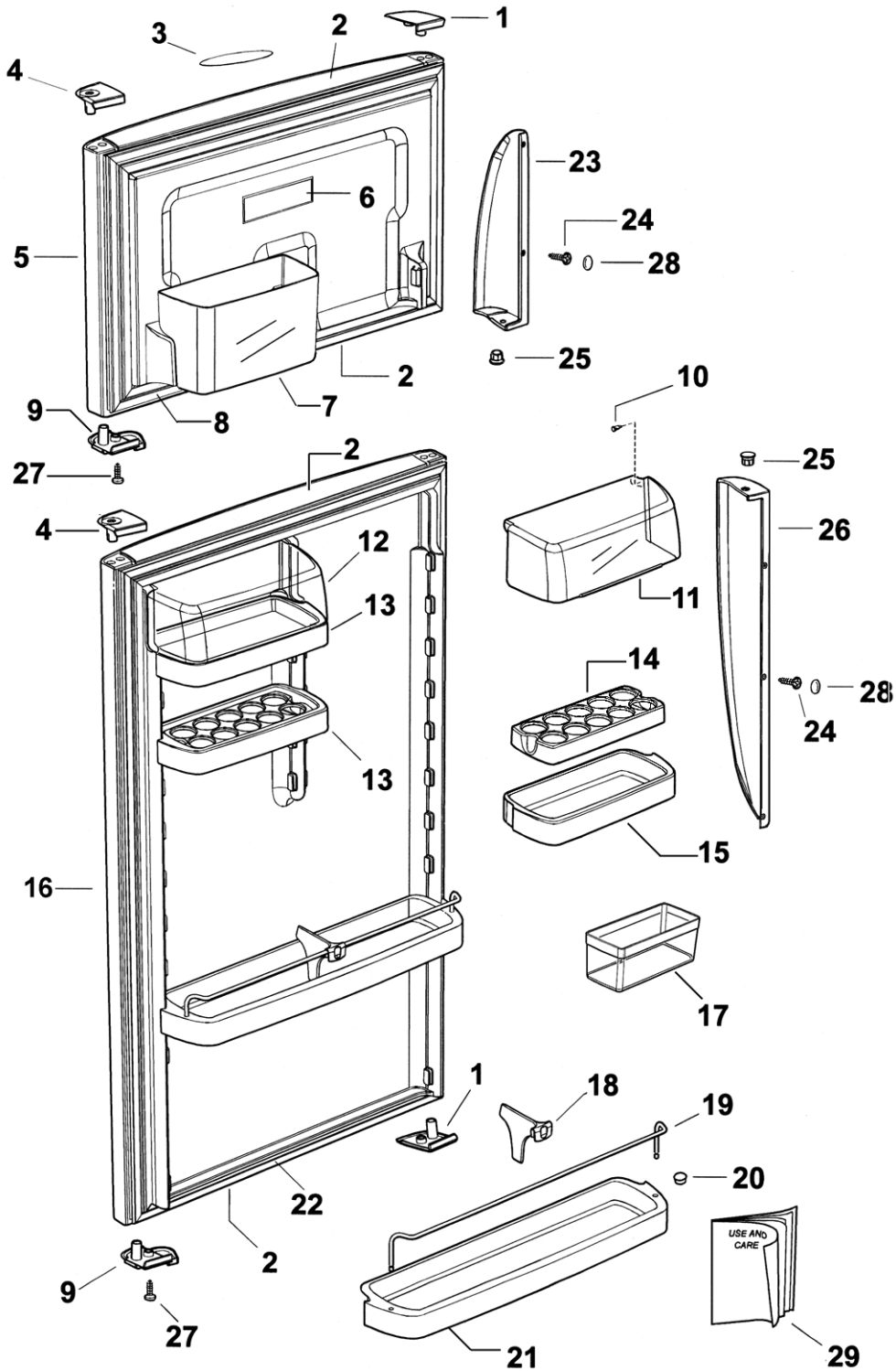
**DOORS - BOTTOM FREEZER MODELS WITH METAL HANDLE  
ELEGANCE, INOX & IRIDIUM**



**NOTE:**

FOR A COMPREHENSIVE DOOR ASSEMBLY SELECTION CHART FOR ALL CURRENT PRODUCTION MODELS - REFER DOOR MANUAL Pt No. 517780

# DOORS - TOP FREEZER MODELS WITH CURVED PLASTIC HANDLE TASMAN

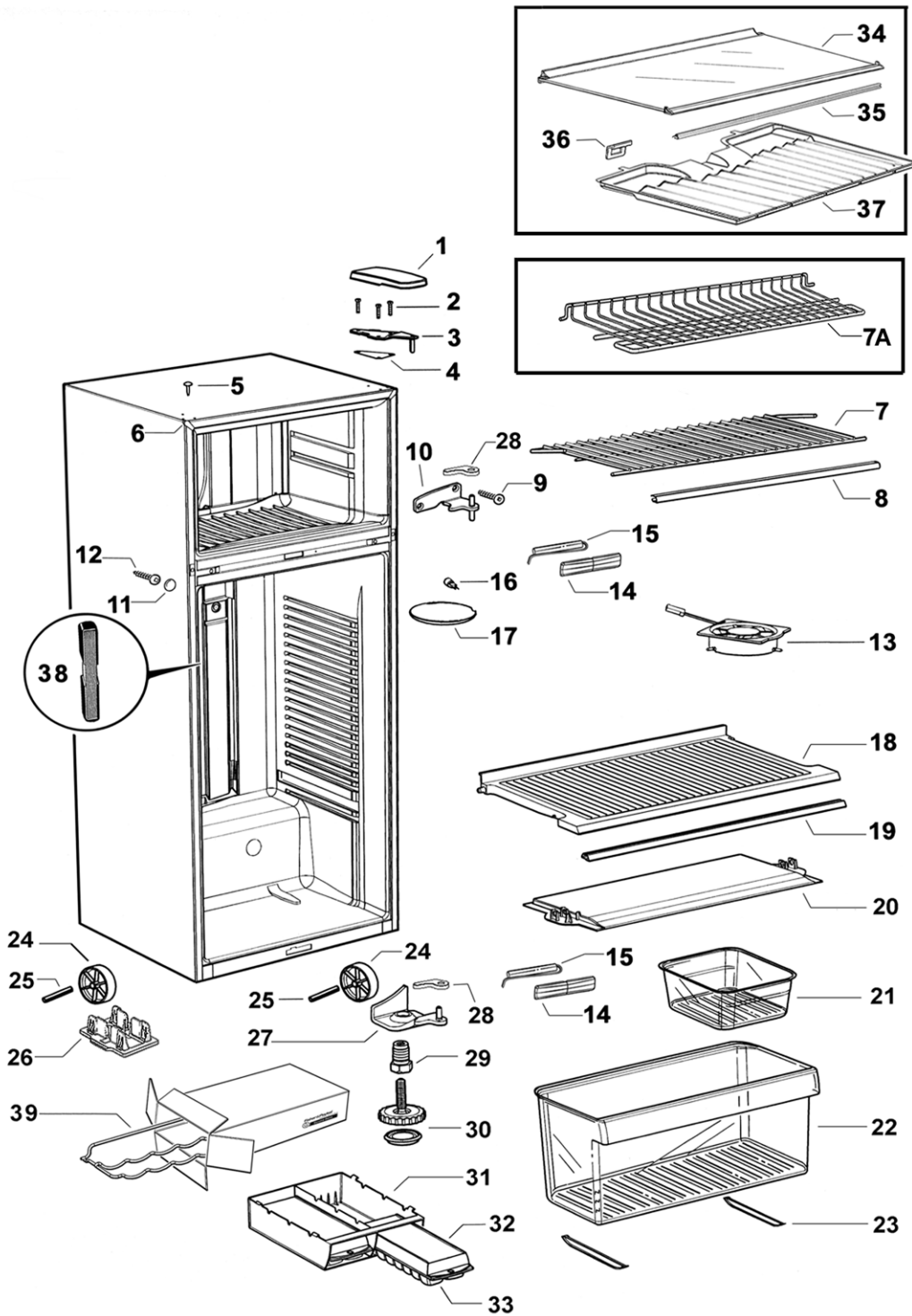


**NOTE:**

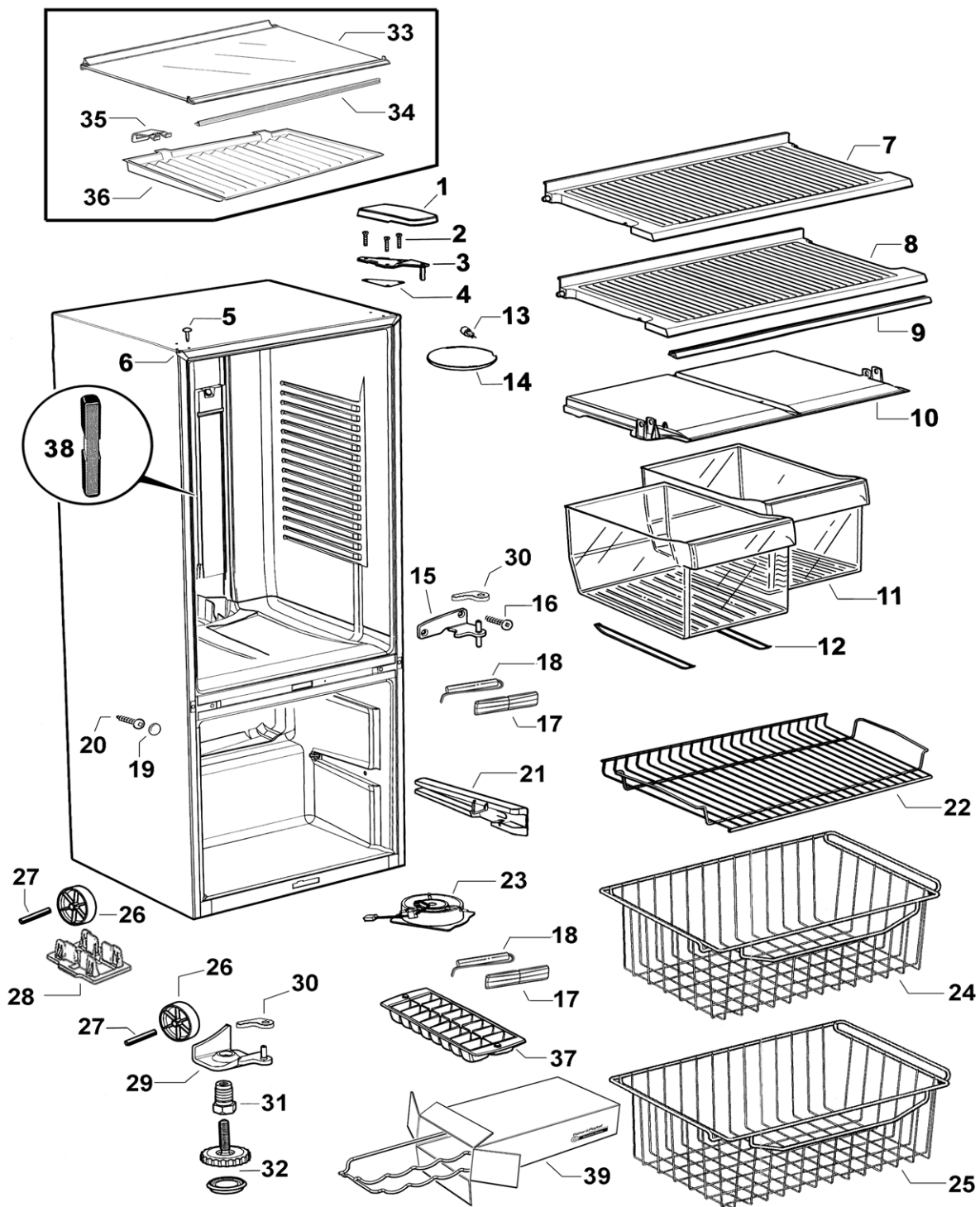
FOR A COMPREHENSIVE DOOR ASSEMBLY SELECTION CHART FOR ALL CURRENT PRODUCTION MODELS - REFER DOOR MANUAL Pt No. 517780



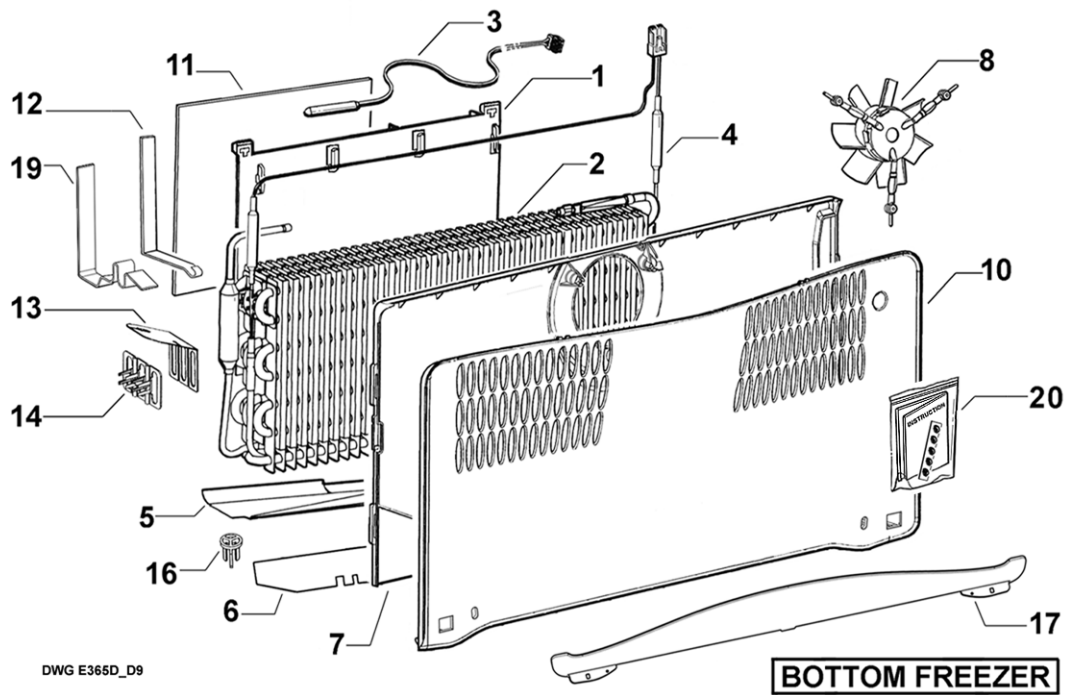
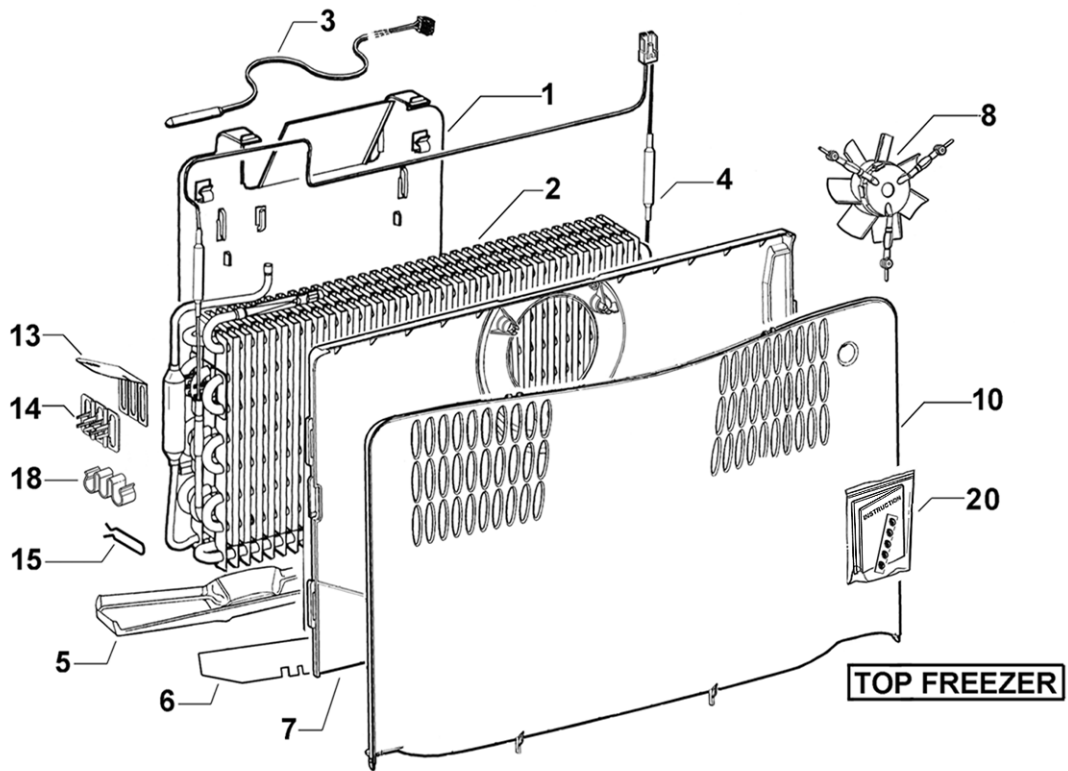
# CABINET COMPONENTS - TOP FREEZER MODELS



# CABINET COMPONENTS - BOTTOM FREEZER MODELS

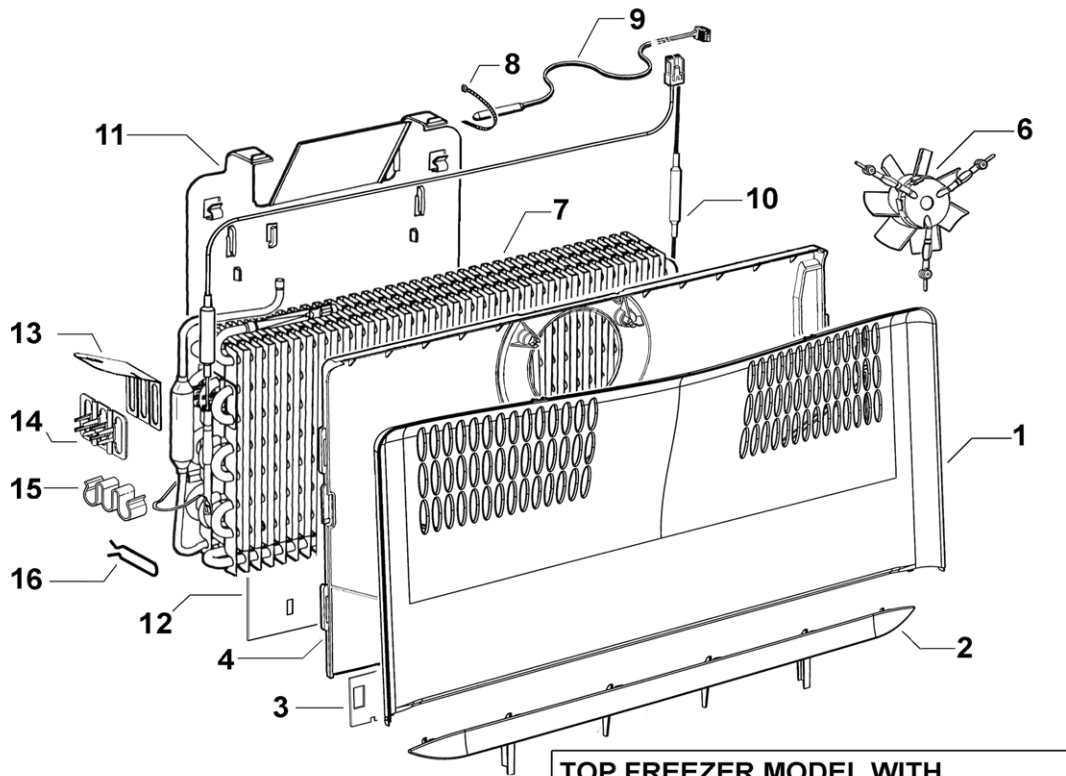


# FAN, COVERS AND EVAPORATOR ASSEMBLIES



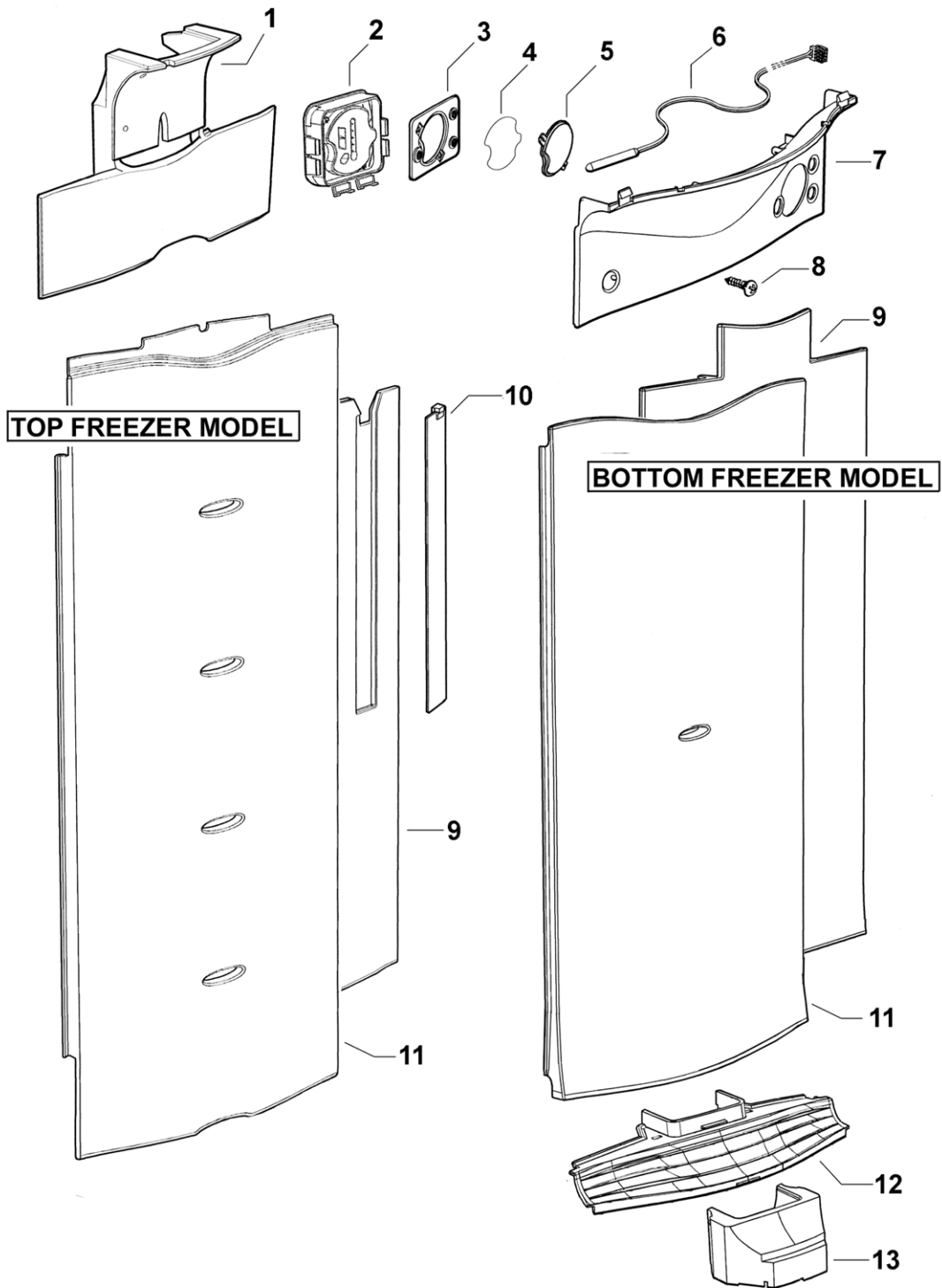
DWG E365D\_D9

# FAN, COVERS & EVAPORATOR – TWIN PC RETURN AIR DUCT SYSTEM

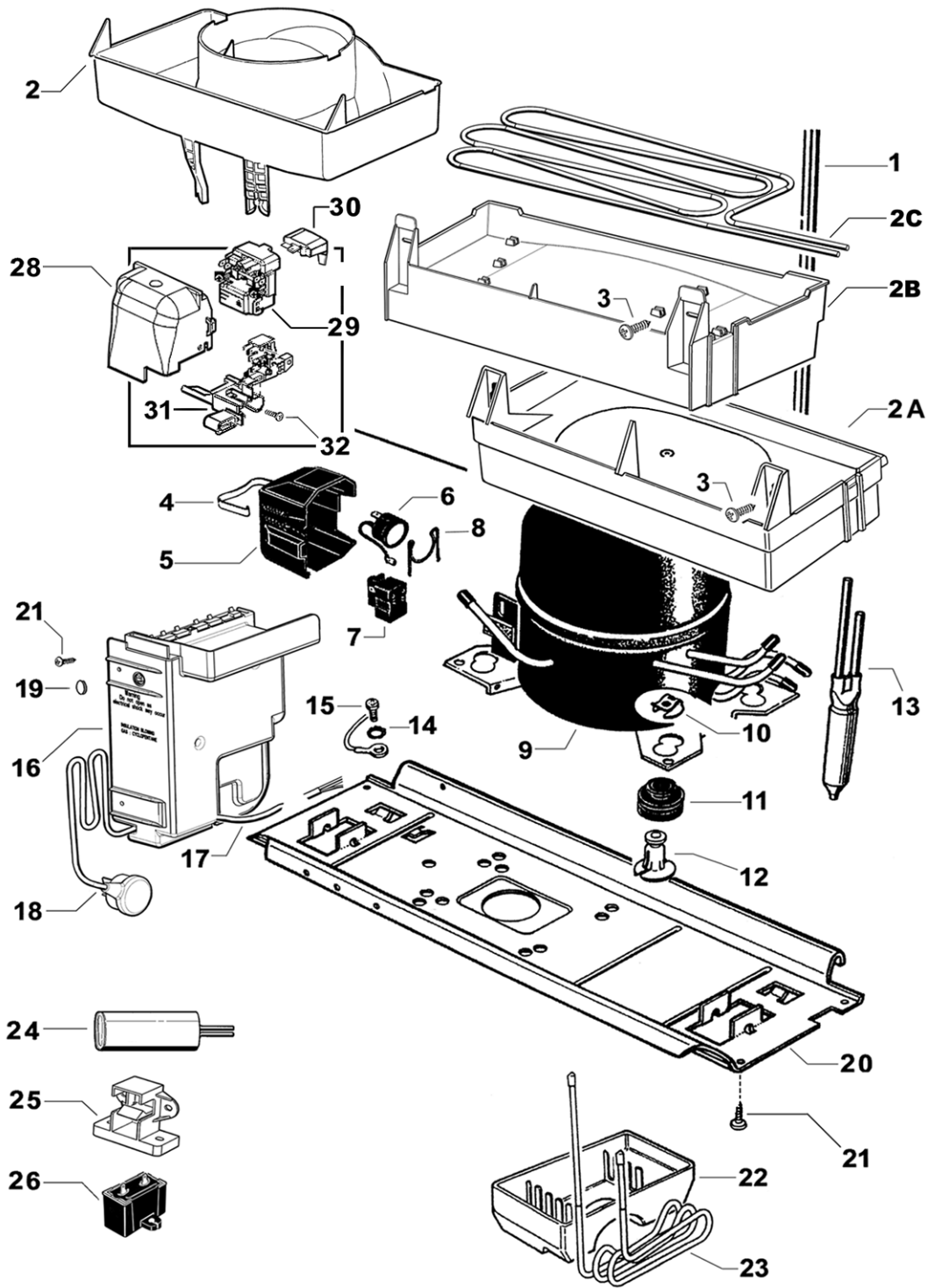


TOP FREEZER MODEL WITH  
TWIN PC RETURN AIR DUCT SYSTEM

# ELECTRONIC MODULE AND DUCT COVERS



# COMPRESSOR, ANCILLARY COMPONENTS & CONTROL MODULE



Dwg E680D\_DD Compar\_Pwr Mod